

SPS-6

1/6 HP Dewatering Submersible
Utility Pump



THE IDEAL SOLUTION TO A WIDE RANGE OF WATER DRAINAGE AND CIRCULATION APPLICATIONS. Shallow flooded areas can be dewatered rapidly and efficiently with the economical SPS-6 pump. Contact your Myers distributor, or the Myers world headquarters at 419/289-1144 for more details.

ADVANTAGES BY DESIGN

EASY TO USE MOST ANYWHERE

- Weighs only 7 lbs.
- Built-in carrying handle.
- To operate, just attach a standard hose to pump discharge and plug into any 115V outlet.

REMOVES STANDING WATER DOWN TO 1/8" DEPTH

- Short slotted base and vane-type, semi-open impeller assure efficient water removal.

PROVIDES LONGER LIFE THAN SIMILAR SIZE DEWATERING PUMPS

- Efficient P.S.C. motor - only 2 amps.
- Air filled motor housing - no oil required.
- Full mechanical shaft seal lasts 10 times longer than lip seals.
- Built-in thermal overload protection.

BUILT TO TAKE ROUGH HANDLING AND USAGE

- High-impact, corrosion-resistant thermoplastic housing provides super-strong resilience.
- Watertight construction allows total submersion in water while operating.

PRODUCT CAPABILITIES

Capacities To	20 gpm	75.71 lpm
Heads To	22 ft.	6.4 m
Solids Handling Capacity	1/8 in.	3.18 mm
Liquids Handling	drain water	
Intermittent Liquid Temp.	up to 140°F	up to 60°C
Motor	1/6 hp P.S.C.	
Electrical	115V, 2 amps, 1Ø, 60 Hz	
Acceptable pH Range	6-9	
Discharge Hose Adapter	1 in.	25.4 mm
Turn-on and Turn-off	manually controlled	

Construction Materials

Housing	thermoplastic
Power Cord	SJTW or SJTW-A, (10 ft.)
Mechanical Seal	carbon and ceramic

WHERE INNOVATION MEETS TRADITION

Myers[®]

Pentair Pump Group

SPS-6

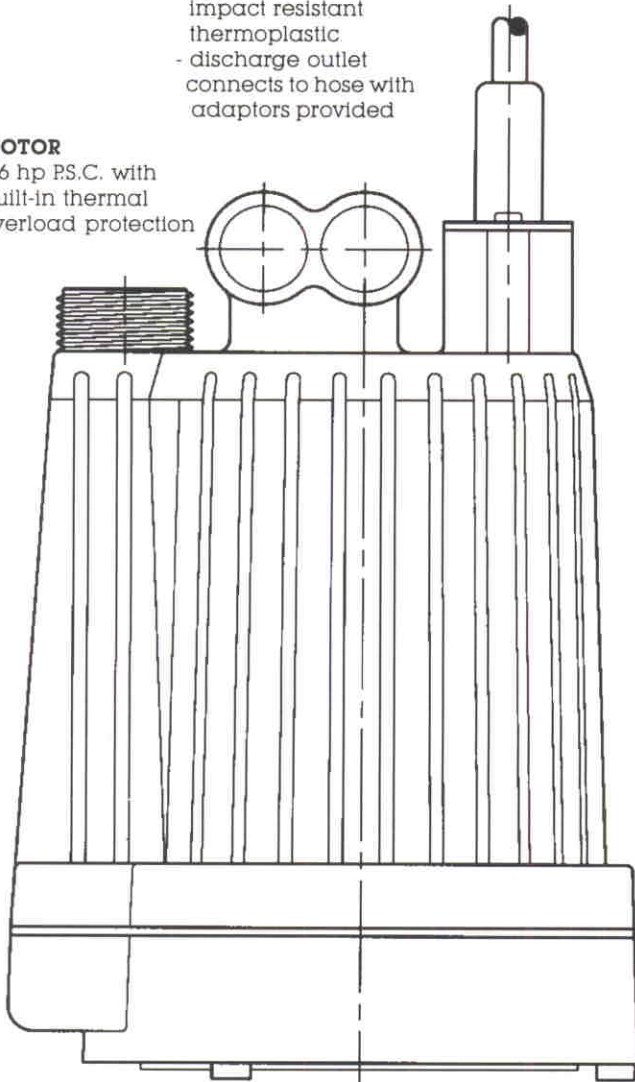
1/6 HP Dewatering Submersible
Utility Pump

MOTOR HOUSING

- built-in handle
- flame retardant, impact resistant thermoplastic
- discharge outlet connects to hose with adaptors provided

MOTOR

1/6 hp P.S.C. with built-in thermal overload protection



BASE

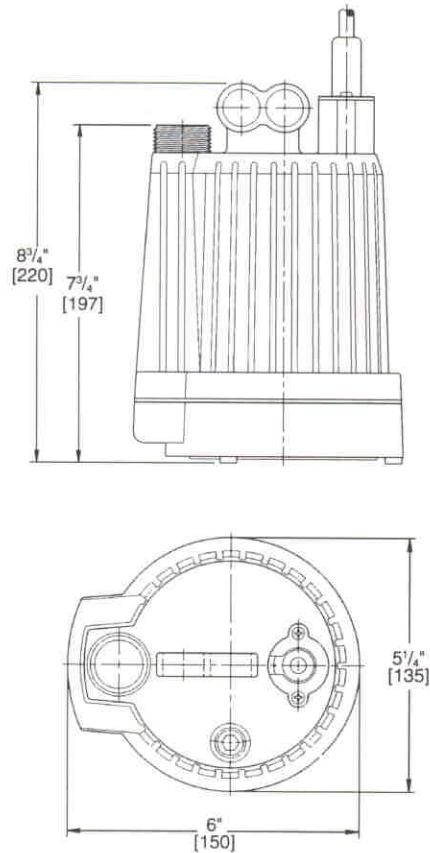
Integral screen keeps foreign objects out. Pumps down to 1/8" depth (manual shut-off required)

MECHANICAL SHAFT SEAL

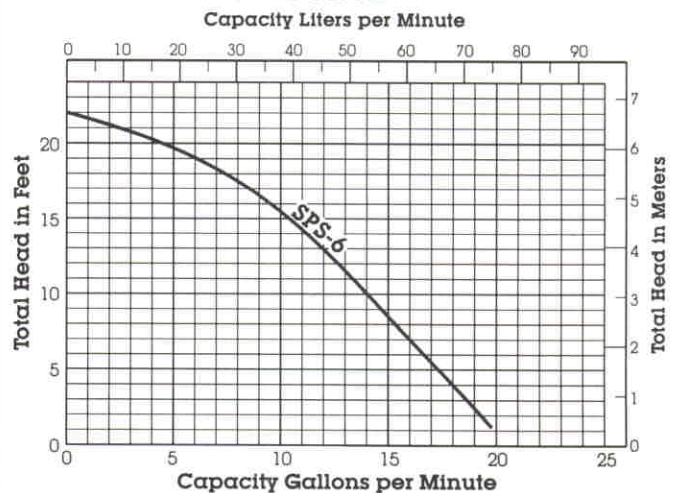
Prevents water damage to motor

DIMENSIONS

[] dimensions in mm



PERFORMANCE CURVE



K3195 1/01
Printed in U.S.A.



Myers®

Pentair Pump Group

F. E. Myers, 1101 Myers Parkway, Ashland, Ohio 44805-1969
419/289-1144, FAX: 419/289-6658, www.femyers.com

Myers (Canada), 269 Trillium Drive, Kitchener, Ontario N2G 4W5
519/748-5470, FAX: 519/748-2553